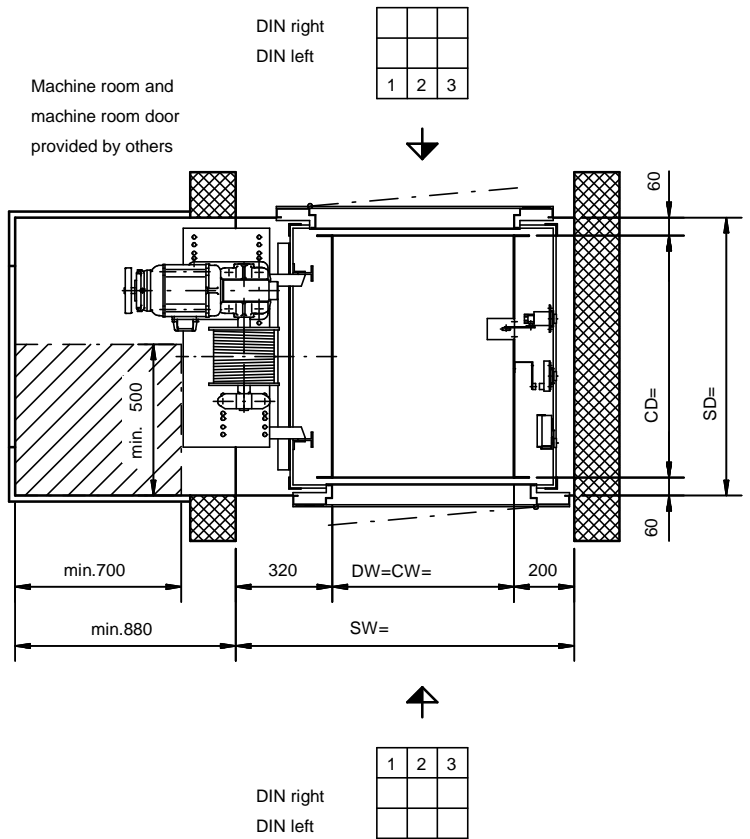
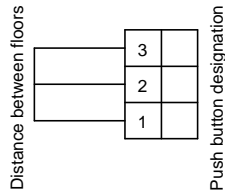
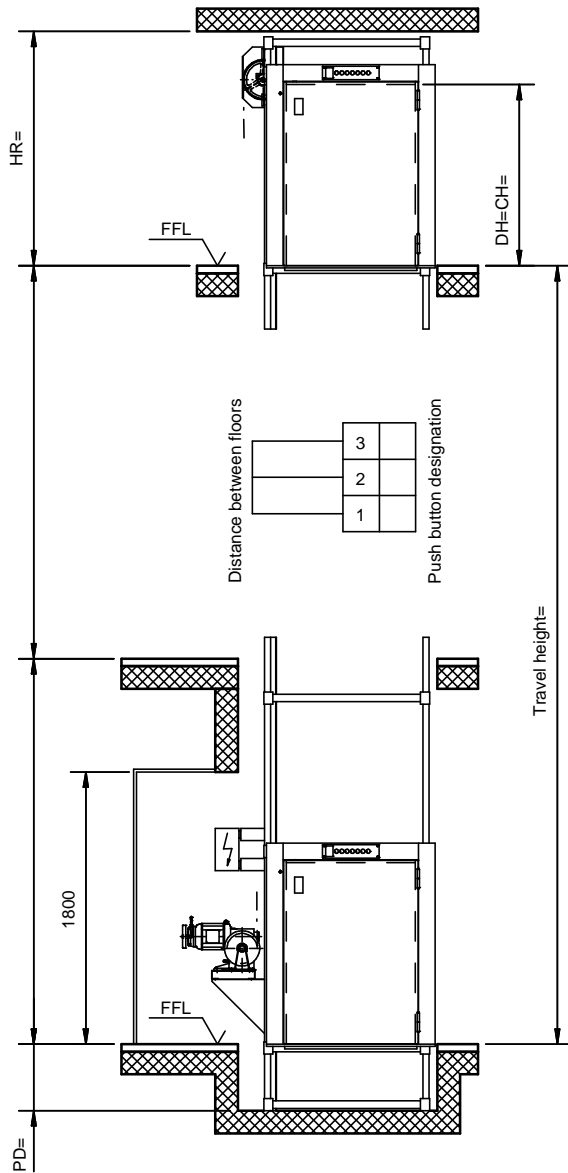


1) This Data Sheet is for planning purposes only. An accurate layout drawing will be provided on receipt of an order.

Standard Data

Travel: max.6,0 m
Stops: max.3
Machine at top floor on request



All hinged doors marked "DIN right"

All dimensions are in mm, and are subject to modification.

The shaft must be rectangular and perpendicular. Maximum admissible deviation from plumb is +20 mm -0 mm. All dimensions are minimum dimensions.

Q kg	v m/s	BKG Type	Layout drawing no.	Car dimensions					Headroom HR min.	Pit depth PD=min.
				CH= min. max.	CD= min. max.	size alt.	CH= min. max.	size alt.		
100	0,25	100.25/23	5-62300-0009	400	600		800			
200	0,15	200.15/24	5-62400-0006			50	*	100	CH+350	
300	0,15	300.15/26	5-62600-0011	1000	1000		1200		440	
				* CH min. CW + 200						
				Part No. 5-60002-0215				Edition 09/2003		